

# LT-408-5A DALI LED Dimming Driver



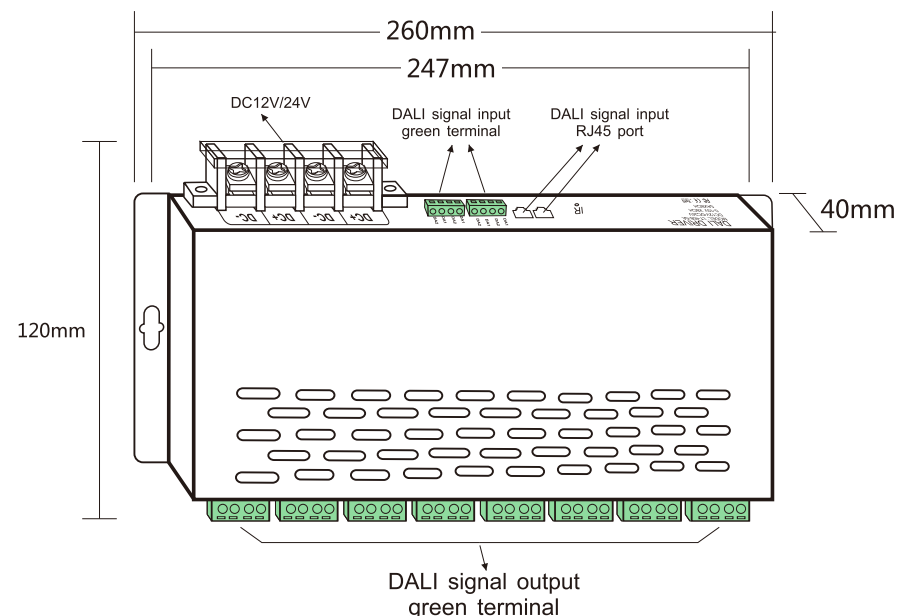
DALI is the young generation lighting control protocol in the realm of lighting control at present, which adopt Manchester encoding transmission technology, can achieve powerful dimming functions such as overall dimming, group dimming, address dimming and various scene mode, brightness trace, breakdown feedback, etc. Modern hotel, shopping mall, household increasingly request for high standard lighting system. with the features of simplicity, reliability and super function, the DALI-bus protocol is widely used and showing the powerful advantage in the realm of intelligent lighting control.

DALI-bus protocol used to be the complementary of the intelligent lighting master and dimmable ballast, which is used to adjust the lighting scenes of the fluorescent, adopts the latest DALI standard IEC62386(compatible with the old standard IEC60929), can connect any equipment that accord with DALI protocol with 1 DALI bus-mastering, realize the integration of LED lighting and traditional lighting in the same lighting system, greatly facilitate the users.

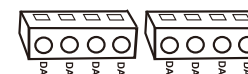
## 1. Product Parameter:

LT-408-5A	
Input Signal	DALI Signal(IEC62386/IEC60929)
Power Supply Chosen	DC CV SMPS
Input Voltage	DC12V~DC24V
Output Current	5A×8CH+0-10V×8CH
Max output power	480W(12V)/960W(24V)
Dimming Range	0~100%
Working Temperature	-30°C-65°C
Dimension	L260×W120×H40(mm)
Package Size	L290×W128×H46(mm)
Weight(G.W)	860g

## 2. Product Dimension:

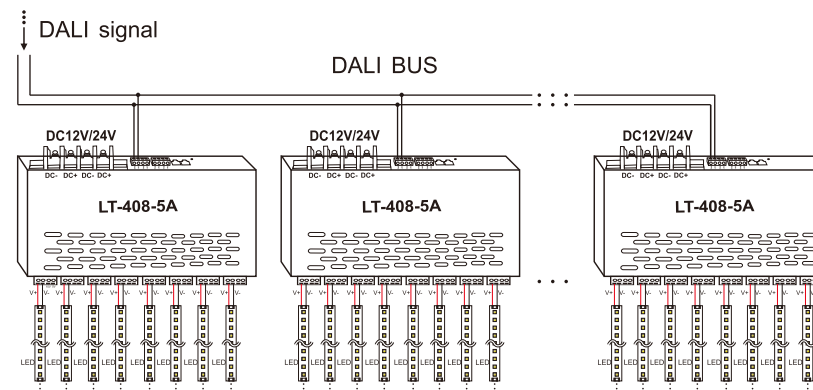


## 3. Conjunction Diagram:

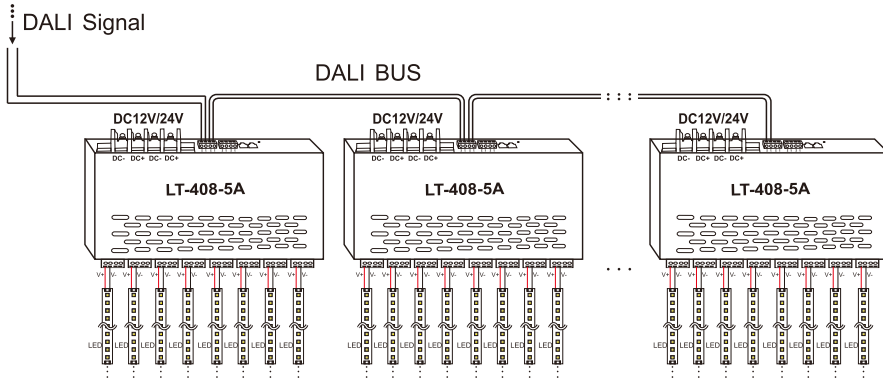


DALI bus no need distinguish plus-minus polarity

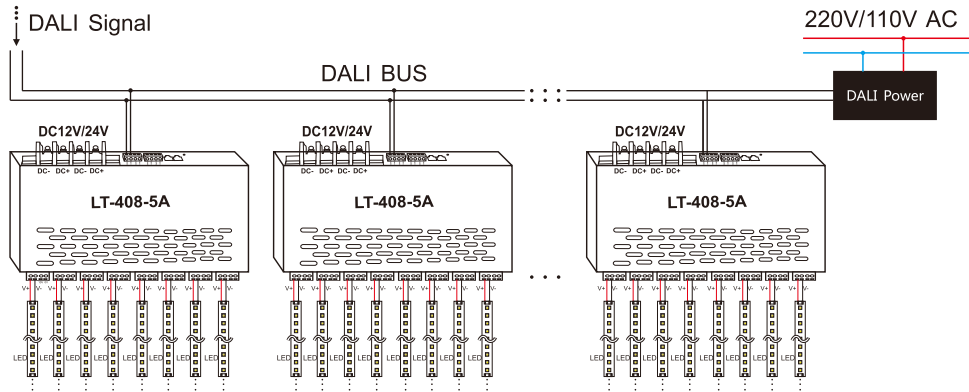
### 1) Active DALI Bus in Connection Method



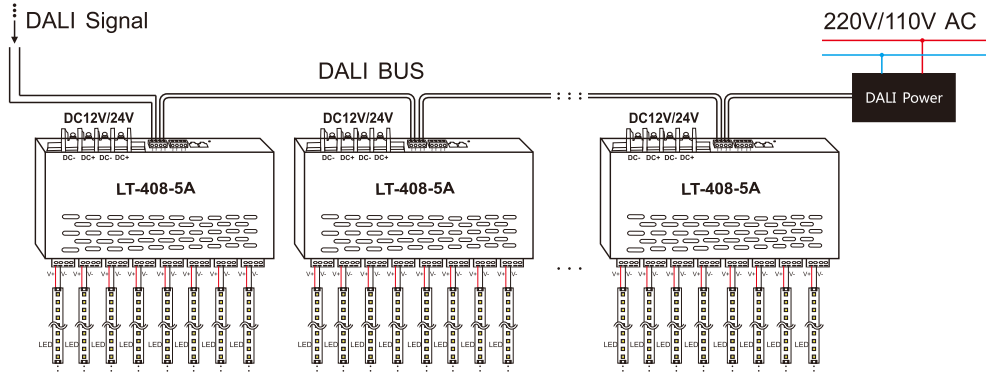
Or



2) Passive DALI bus in Connection Method



Or



4. Attention:

- 1) The product shall be installed and serviced by a qualified person.
- 2) This product is non-waterproof. Please avoid the sun and rain. When installed outdoors please ensure it is mounted in a water proof enclosure.
- 3) Good heat dissipation will prolong the working life of the controller. Please ensure good ventilation.
- 4) Please check if the output voltage of any LED power supplies used comply with the working voltage of the product.
- 5) Please ensure that adequate sized cable is used from the controller to the LED lights to carry the current. Please also ensure that the cable is secured tightly in the connector.
- 6) Ensure all wire connections and polarities are correct before applying power to avoid any damages to the LED lights.
- 7) If a fault occurs please return the product to your supplier. Do not attempt to fix this product by yourself.

5. Warranty Agreement:

- 1) We provide lifelong technical assistance with this product:
  - A 5-year warranty is given from the date of purchase. The warranty is for free repair or replacement and covers manufacturing faults only.
  - For faults beyond the 5-year warranty we reserve the right to charge for time and parts.
- 2) Warranty exclusions below:
  - Any man-made damages caused from improper operation, or connecting to excess voltage and overloading.
  - The product appears to have excessive physical damage.
  - Damage due to natural disasters and force majeure.
  - Warranty label, fragile label and unique barcode label have been damaged.
  - The product has been replaced by a brand new product.
- 3) Repair or replacement as provided under this warranty is the exclusive remedy to the customer. LTECH shall not be liable for any incidental or consequential damages for breach of any stipulation in this warranty.

4) Any amendment or adjustment to this warranty must be approved in writing by Ltech only.

★ This manual only applies to this model. Ltech reserves the right to make changes without prior notice.